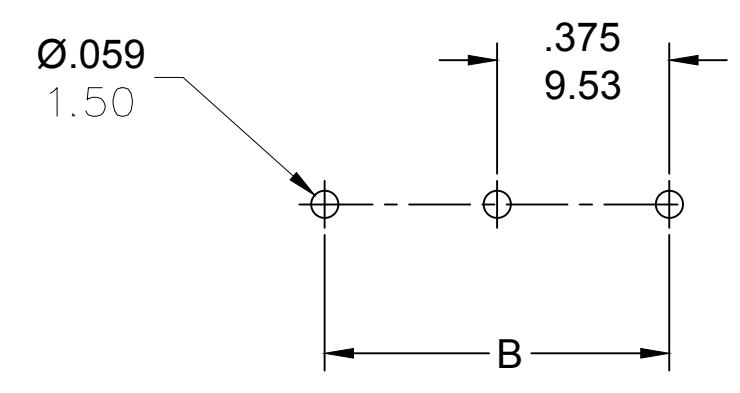
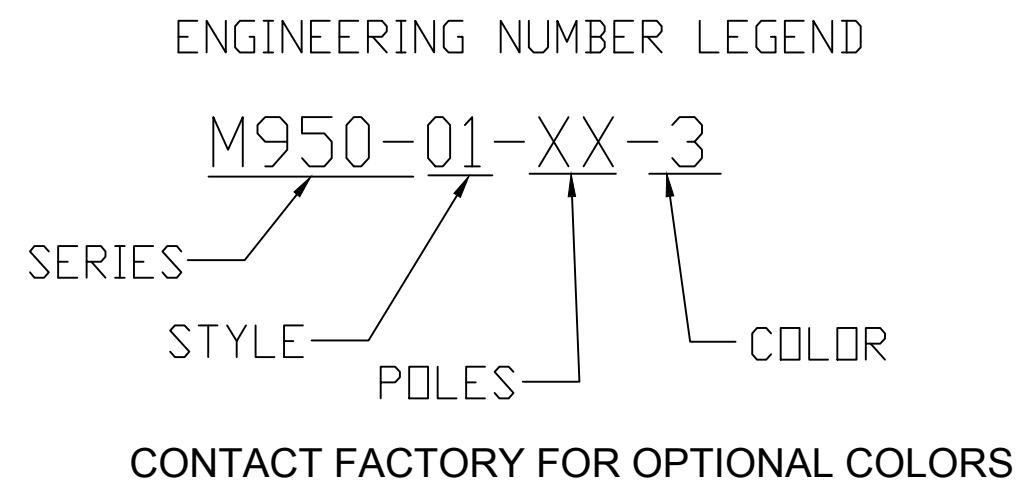
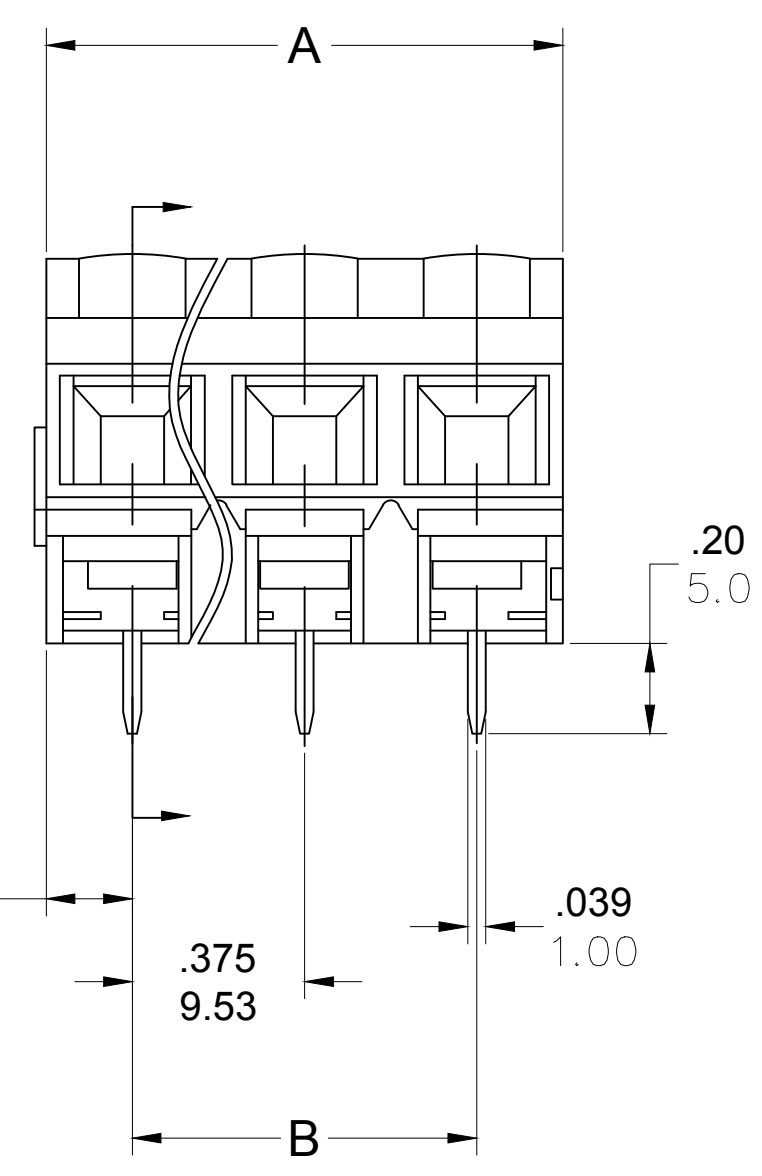
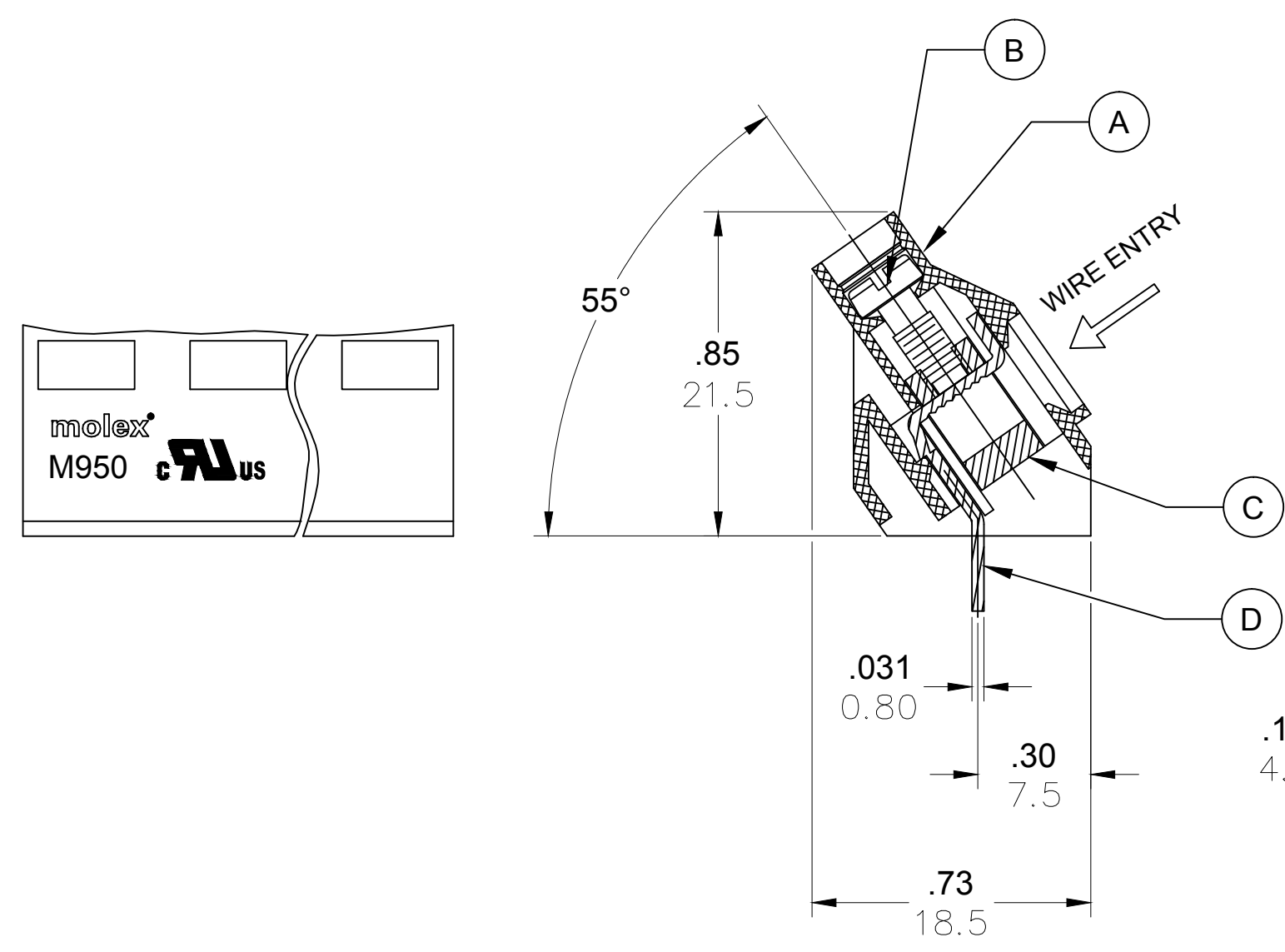


PART NUMBER DATA							
CIRCUITS	PART NUMBER	ENGINEERING NUMBER	COLOR	A IN mm		B IN mm	
2	397450002	M950-01-02-3	GREEN	.75	19.1	.375	9.53
3	397450003	M950-01-03-3	GREEN	1.13	28.6	.750	19.05

REF. LAST 2 DIGITS OF PART NUMBER EQUAL CIRCUIT COUNT



SPECIFICATIONS:

- MATERIAL:
 - BODY: PA66, UL94 V-0
 - SCREW: M3, STEEL ZINC PLATED
 - CAGE: BRASS, NI PLATED
 - TERMINAL: BRASS, TIN PLATED
- RATING: 300V, 30A
- MAX TORQUE: 4.5 LBF. IN.
- WIRE RANGE: 30-10 AWG
- WIRE STRIP: .30 IN, (7.5mm)
- DIELECTRIC VOLTAGE WITHSTAND: AC 2500V FOR 1 MINUTE.
- INSULATION RESISTANCE: DC 500V, 500MΩ
- RATED IMPULSE VOLTAGE: 4000V, PLUS AND MINUS 5 TIMES EACH
- OPERATING TEMPERATURE: -40°C TO +105°C
- MAX. SOLDERING TEMP: 250°C (500°F) FOR 5 SECONDS
- DIMS. SHOWN ARE FOR REFERENCE ONLY

TOLERANCES			
MM	TOL	INCH	TOL
0-6	±0.25	0-.24	±.010
>6-30	±0.40	.24-1.18	±.016
>30-120	±0.50	1.18-4.76	±.020
>120	±0.80	>4.76	±.031

REVISED DOC TOL EC NO.: ICG2017-0881 DRWN: ABENJAMI CHKD: --- APPR: BRUPERT 2014/10/16 4/6/17	QUALITY SYMBOL ▽=0 ▽C=0	GENERAL TOLERANCES (UNLESS SPECIFIED) mm INCH 4 PLACES ±--- ±--- 3 PLACES ±--- ±--- 2 PLACES ±--- ±--- 1 PLACE ±--- ±---	DIMENSION STYLE IN/MM	SCALE ---	DESIGN UNITS METRIC	THIRD ANGLE PROJECTION	
	DRAWN BY RSTONE	DATE 2014/06/27	CHECKED BY G FARNSW	DATE ---	TITLE EURO TERMINAL BLOCK 9.53MM, MODULAR 55 DEGREE		
	APPROVED BY JFMURPHY	DATE 2014/10/16	MATERIAL NO. SEE CHART	DOCUMENT NO. SD-39745-001	SHEET NO. 1 OF 1	MOLEX INCORPORATED	
	DRAFT WHERE APPLICABLE MUST REMAIN WITHIN DIMENSIONS			SIZE C	THIS DRAWING CONTAINS INFORMATION THAT IS PROPRIETARY TO MOLEX INCORPORATED AND SHOULD NOT BE USED WITHOUT WRITTEN PERMISSION		