

4

3

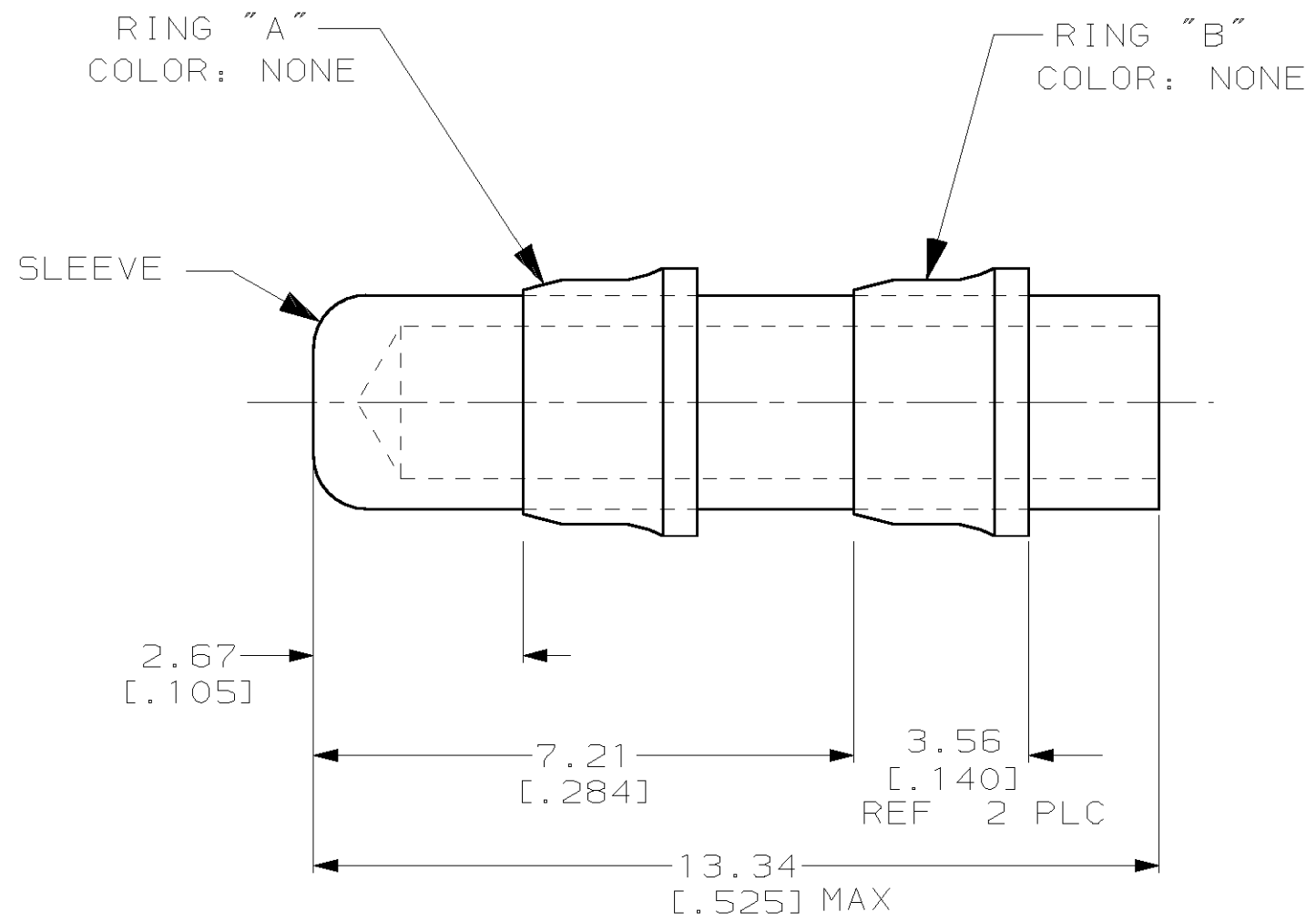
2

1

THIS DRAWING IS UNPUBLISHED. RELEASED FOR PUBLICATION, 19 .
© COPYRIGHT 19 BY AMP INCORPORATED. ALL RIGHTS RESERVED.

LOC		DIST		REVISIONS			
P	LTR	DESCRIPTION		DATE	DWN	APVD	
G	14	E		REV PER 063A-0541-00	25SEP00	JR	TM

1 WIRE INSULATION DIA IS 3.18-3.50
[.125-.138]



TEFLON ASTM D-1710		SLEEVE													
COPPER PER ASTM B152 / NICKEL PL PER QQ-N-290		RING "B"													
COPPER PER ASTM B152 / NICKEL PL PER QQ-N-290		RING "A"													
MATERIAL / FINISH		DESCRIPTION													
THIS DRAWING IS A CONTROLLED DOCUMENT.		DWN JR RUTH 31MAY00	AMP Incorporated Harrisburg, PA 17105-3608												
DIMENSIONS: MM [INCHES]		CHK R HERSEY 31MAY00													
TOLERANCES UNLESS OTHERWISE SPECIFIED:		APVD T MICHIELUTTI 31MAY00													
<table border="1"> <tr><td>0 PLC</td><td>±-</td></tr> <tr><td>1 PLC</td><td>±-</td></tr> <tr><td>2 PLC</td><td>±0.40 [.015]</td></tr> <tr><td>3 PLC</td><td>±-</td></tr> <tr><td>4 PLC</td><td>±-</td></tr> <tr><td>ANGLES</td><td>±-</td></tr> </table>		0 PLC	±-	1 PLC	±-	2 PLC	±0.40 [.015]	3 PLC	±-	4 PLC	±-	ANGLES	±-	PRODUCT SPEC -	NAME PRE-INSULATED SPARE WIRE CAP
0 PLC	±-														
1 PLC	±-														
2 PLC	±0.40 [.015]														
3 PLC	±-														
4 PLC	±-														
ANGLES	±-														
MATERIAL SEE TABLE		FINISH SEE TABLE	<table border="1"> <tr> <td>SIZE</td> <td>CAGE CODE</td> <td>DRAWING NO</td> <td>RESTRICTED TO</td> </tr> <tr> <td>A3</td> <td>00779</td> <td>C- 328861</td> <td>-</td> </tr> </table>	SIZE	CAGE CODE	DRAWING NO	RESTRICTED TO	A3	00779	C- 328861	-				
SIZE	CAGE CODE	DRAWING NO	RESTRICTED TO												
A3	00779	C- 328861	-												
CUSTOMER DRAWING		SCALE 10:1	SHEET 1 OF 1 REV E												