

DESCRIPTION: POWER / SIGNAL - SOLDER CUP - FEMALE - MACHINED

SPECIFICATIONS:

ELECTRICAL:

INSULATOR RESISTANCE: 5 GOHMS Min.
 DIELECTRIC WITHSTANDING: 1,000VAC r.m.s.
 OPERATING TEMPERATURE: -55° C ~ +125° C
 POWER CONTACT RESISTANCE: 1.0 Milliohms Max.
 SIGNAL CONTACT RESISTANCE: 2.7 Milliohms Max.
 POWER PINS: SEE PART NO. BELOW
 SIGNAL PINS: 5 AMPS

MECHANICAL:

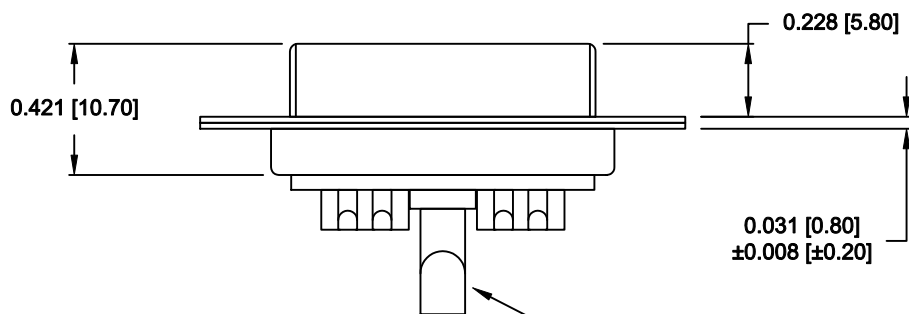
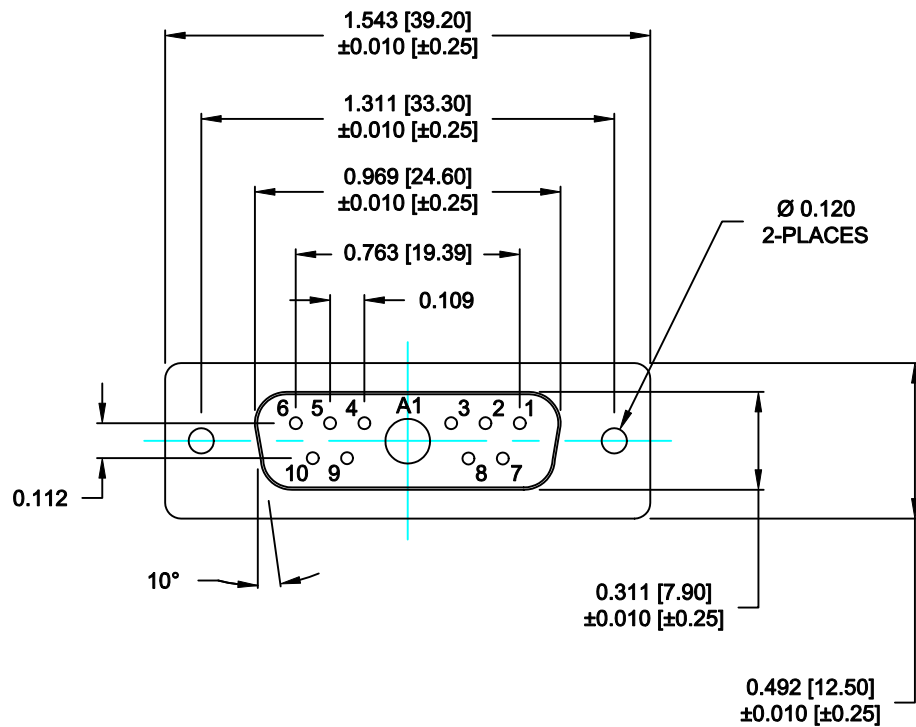
CONTACT INSERTION FORCE: 4.5 Kg Max.
 CONTACT SEPARATOR FORCE: 0.3Kg Min.

MATERIALS:

CONTACTS: COPPER ALLOY
 INSULATOR: PBT UL94V-0 RATED, BLACK
 230°C PROCESS TEMP.
 SHELL: STEEL

FINISH:

SHELL: NICKEL
 CONTACTS: FULL GOLD FLASH



SEE SHEET 2 FOR DETAILS

680M11W1203L001

20 = 20 AMPS
 40 = 40 AMPS

RoHS COMPLIANT

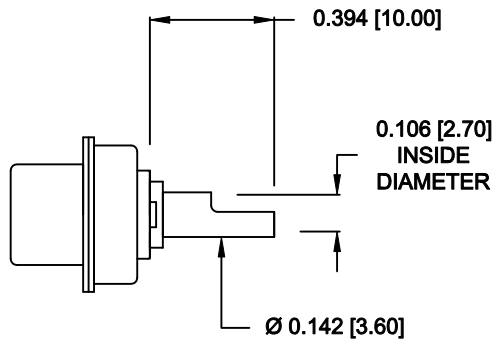


THESE DRAWINGS AND SPECIFICATIONS ARE THE PROPERTY OF NorComp AND SHALL NOT BE REPRODUCED, COPIED OR USED AS THE BASIS FOR THE MANUFACTURE OF SALE OF APPARATUS WITHOUT WRITTEN PERMISSION.

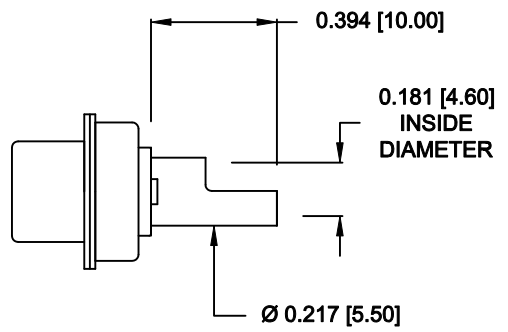
NorComp

DRAWN: M. SIGMON		DATE: 07-22-13	
CHECKED: X		DATE: X	
SCALE: N.T.S.	SHEET 1 OF 2	REV 0	
DWG NO. 680M11W1203L001			

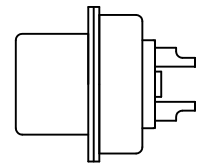
**NOTE:
SIGNAL CONTACTS COME
PRE-LOADED INTO INSULATORS**



**20 AMP POWER CONTACTS
ACCEPTS UP TO 12 AWG WIRE**




**40 AMP POWER CONTACTS
ACCEPTS UP TO 8 AWG WIRE**



**SIGNAL CONTACTS
ACCEPTS UP TO 20 AWG WIRE**

RoHS COMPLIANT

	THESE DRAWINGS AND SPECIFICATIONS ARE THE PROPERTY OF NorComp AND SHALL NOT BE REPRODUCED, COPIED OR USED AS THE BASIS FOR THE MANUFACTURE OF SALE OF APPARATUS WITHOUT WRITTEN PERMISSION.		DRAWN: M. SIGMON	DATE: 07-22-13
			CHECKED:	DATE:
NorComp		SCALE: N.T.S.	SHEET 2 OF 2	REV 0
		DWG NO. 680M11W1203L001		