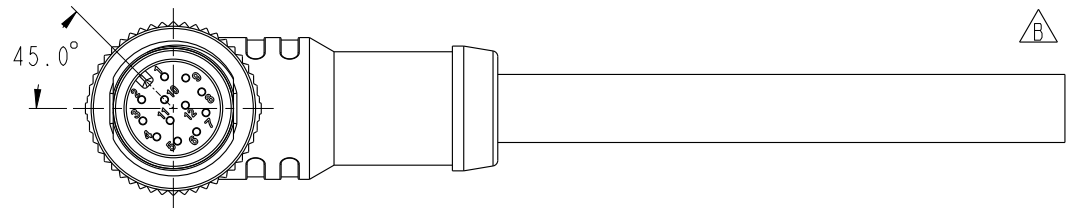
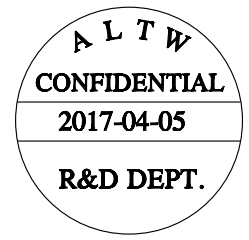
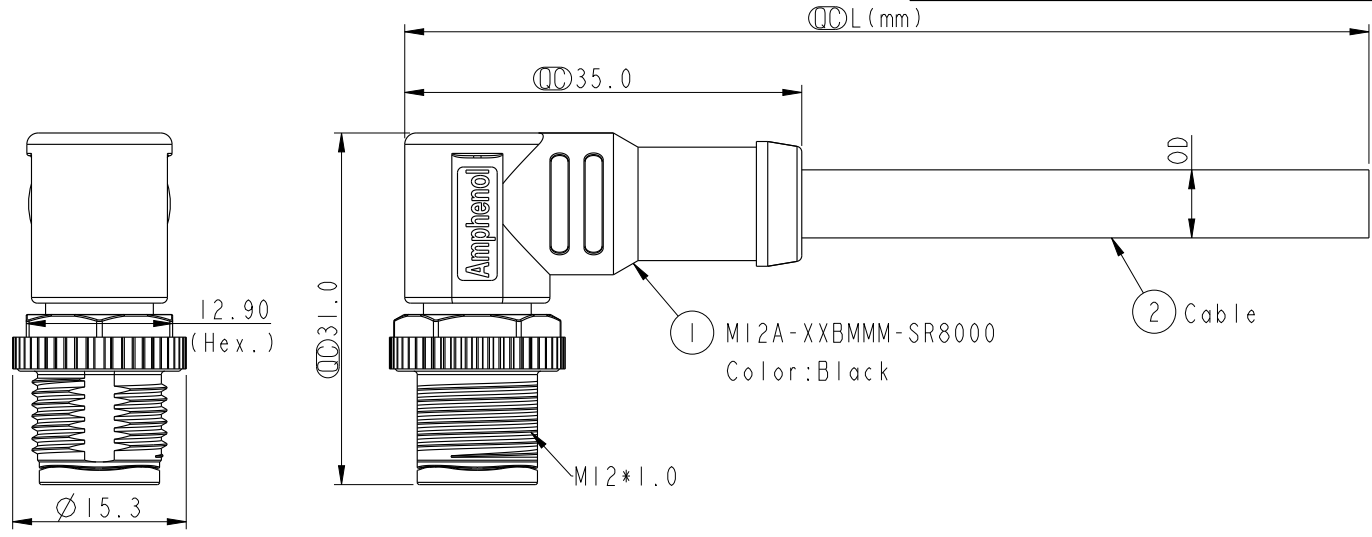


REV.	ECN NO.	DATE	SIGN	DESCRIPTION
B	LEN1580166~177	2015/08/10	Feng_Li	Add Black PVC Cable
C	LEN1680686~703	2016/08/13	Yulong_wang	Add 6Pin & IP69K.
D	LEN1750110~17	2017/04/05	Lingpeng	Change The Cable OD



Notes:

- * \varnothing Important Dimension.
- * $\triangle C$ Waterproof Rate: IP68, IP69K.
- * Connector: PU+GF, Black.
- * Male Pin: Copper Alloy, Gold Plated.
- * Screw Nut: Zinc Alloy, Nickel Plated.
- * Outer Mold: PU, Black.
- * $\triangle B$ Cable: (A) UL2517, PVC Jacket, Yellow.
(B) UL20549, PUR Jacket, Black.
(D) UL2517, PVC Jacket, Black.
- * Rated Voltage: 3 & 4Pin 250V dc. or ac.
5Pin 60V dc. or ac.
6~12Pin 30V dc. or ac.
- * Rated Current: 3~5Pin 4A
6~8Pin 2A
10~12Pin 1.5A
- * Operating Temperature: -25~85°C
- * Cable Length Tolerance: 01M:±40mm
02M~05M:±60mm
06M~10M:±100mm
11M~30M:±200mm

UNIT:mm
TOLERANCE
±0.5mm

TITLE MI2 A Type 90° Male Conn.			
SCALE 3:2	SIZE A4	SHEET 1 OF 3	
REV. D	WC-REV. A.1	\varnothing : Inspection item	

Amphenol LTW
安費諾亮泰企業股份有限公司

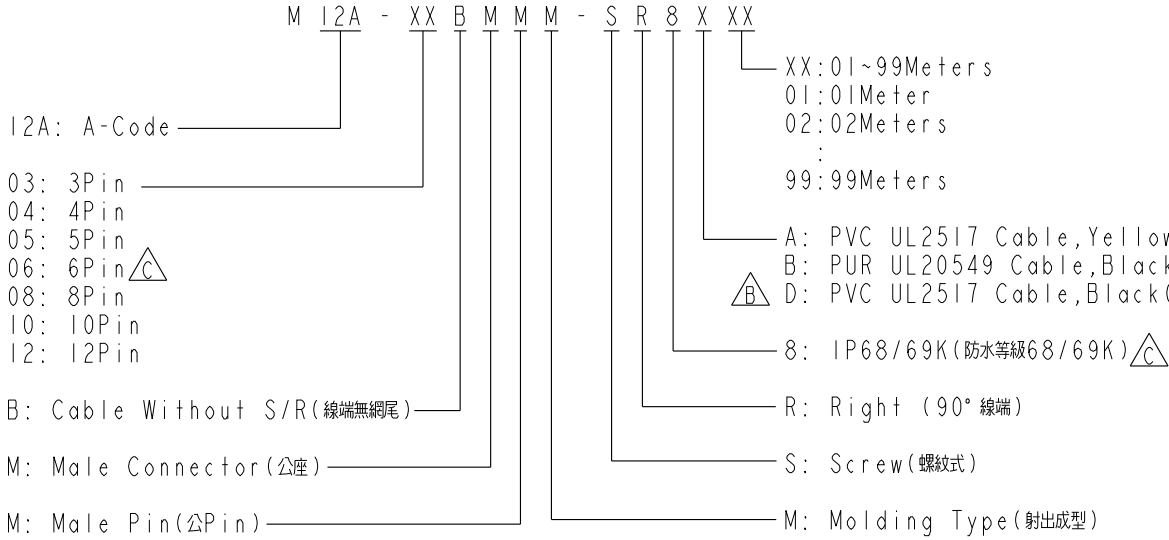
ITEM NO	DRAWN BY Lingpeng	DATE 2017-04-06
DWG NO MI2A-XXBMMM-SR8XXX	CHECKED BY Ma Fei	DATE 2017-04-06
CUSTOMER ALTW	APPROVED BY Jerry	DATE 2017-04-06

THIS DOCUMENT IS SUBJECT TO CHANGE WITHOUT NOTICE. IT IS CONFIDENTIAL AND A PROPERTY OF Amphenol LTW. DISCLOSURE TO THIRD PARTY HAS TO BE AUTHORIZED BY Amphenol LTW.

F
E
D
C
B
A



Contacts	Cable Jacket	Cable OD	AWG	Item No.		
△B	PVC	12P	6.0	26	M12A-12BMMM-SR8DXX	
		10P			M12A-10BMMM-SR8DXX	
△C		8P	5.5	24	M12A-08BMMM-SR8DXX	
		6P			M12A-06BMMM-SR8DXX	
△D		5P	5.1	22	M12A-05BMMM-SR8DXX	
		4P			M12A-04BMMM-SR8DXX	
		3P			M12A-03BMMM-SR8DXX	
△D		PUR	12P	6.0	26	M12A-12BMMM-SR8BXX
			10P			M12A-10BMMM-SR8BXX
			8P	4.8	24	M12A-08BMMM-SR8BXX
6P	M12A-06BMMM-SR8BXX					
△C	5P		4.4	22	M12A-05BMMM-SR8BXX	
	4P				M12A-04BMMM-SR8BXX	
△D	3P		3.8	22	M12A-03BMMM-SR8BXX	
	12P				6.0	26
△C	10P		5.5	24		
	8P				M12A-08BMMM-SR8AXX	
	6P	5.0	22	M12A-06BMMM-SR8AXX		
5P	M12A-05BMMM-SR8AXX					
△C	4P	4.8	22	M12A-04BMMM-SR8AXX		
	3P			M12A-03BMMM-SR8AXX		



UNIT:mm		
TOLERANCE ±0.5mm		

TITLE M12 A Type 90° Male Conn.			
SCALE 3:2	SIZE A4	SHEET 2 OF 3	
REV. D	WC-REV. A.1	QC: Inspection item	

Amphenol LTW
安費諾亮泰企業股份有限公司

ITEM NO	DRAWN BY Lingpeng	DATE 2017-04-06
DWG NO M12A-XXBMMM-SR8XXX	CHECKED BY Ma Fei	DATE 2017-04-06
CUSTOMER ALTW	APPROVED BY Jerry	DATE 2017-04-06

THIS DOCUMENT IS SUBJECT TO CHANGE WITHOUT NOTICE. IT IS CONFIDENTIAL AND A PROPERTY OF Amphenol LTW. DISCLOSURE TO THIRD PARTY HAS TO BE AUTHORIZED BY Amphenol LTW.

THIS DOCUMENT IS SUBJECT TO CHANGE WITHOUT NOTICE. IT IS CONFIDENTIAL AND A PROPERTY OF Amphenol LTW. DISCLOSURE TO THIRD PARTY HAS TO BE AUTHORIZED BY Amphenol LTW.

ALTW
CONFIDENTIAL
 2017-04-06
R&D DEPT.

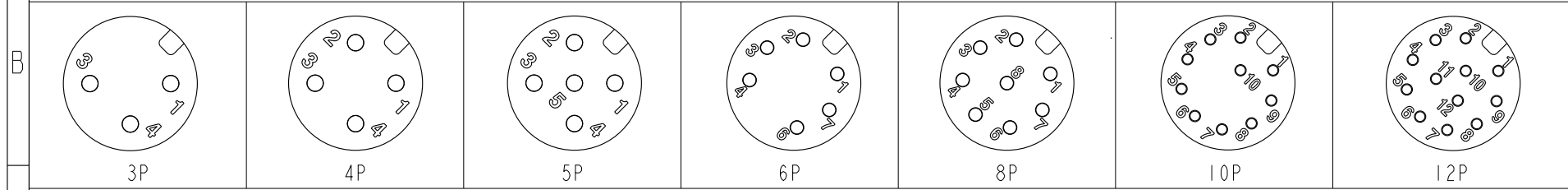
ALTW
 DCC. DEPT.
 CONFIDENTIAL
 2017.05.15
ISSUED



F
E
D
C
B
A

5 --	5 --	5 Gray	8 --	8 Red	12 --	12 Red/Blue	紅/藍
4 Black	4 Black	4 Black	7 Blue	7 Blue	11 --	11 Gray/Pink	灰/粉
3 Blue	3 Blue	3 Blue	6 Pink	6 Pink	10 Violet	10 Violet	紫
2 --	2 White	2 White	5 --	5 Gray	9 Black	9 Black	黑
1 Brown	1 Brown	1 Brown	4 Yellow	4 Yellow	8 Red	8 Red	紅
			3 Green	3 Green	7 Blue	7 Blue	藍
			2 Brown	2 Brown	6 Pink	6 Pink	粉
			1 White	1 White	5 Gray	5 Gray	灰
					4 Yellow	4 Yellow	黃
					3 Green	3 Green	綠
					2 Brown	2 Brown	棕
					1 White	1 White	白
Pin #	Wire	Wire	Pin #	Wire	Wire	Wire	Wire

Pin Out



Pin Assignments Front View

UNIT: mm			TITLE M12 A Type 90° Male Conn.	Amphenol LTW	ITEM NO	DRAWN BY	DATE
TOLERANCE ±0.5mm	SCALE 3:2	SIZE A4	SHEET 3 OF 3	安費諾亮泰企業股份有限公司	DWG NO M12A-XXBMMM-SR8XXX	CHECKED BY Ma Fei	DATE 2017-04-06
REV. D	WC-REV. A.1	☉: Inspection item		CUSTOMER ALTW	APPROVED BY Jerry	DATE 2017-04-06	